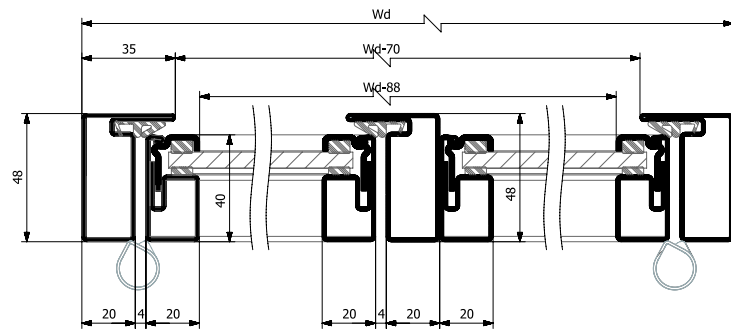
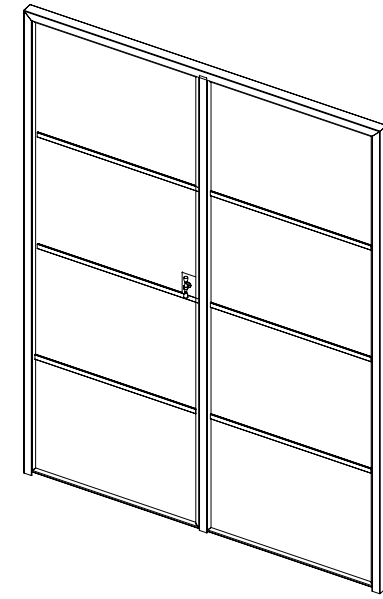
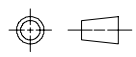



SECTION B-B



SECTION A-A



ALL DIMENSIONS IN MM

	FIRST ISSUED	001	TITLE	
	DRAWN BY	2100		
	CHECKED BY	1000		
	APPROVED BY			
	SIZE	DWG NO.		SHEET REV
	A1			A
	SCALE	1:1		SHEET 1 OF 1
				A1

THIS DRAWING HAS BEEN PRODUCED USING AN EXAMPLE TEMPLATE PROVIDED BY SIEHENS PDM SOFTWARE